

STAR TREK[®] U.S.S. ENTERPRISE COMMAND BRIDGE WITH FIGURES

© 1991 Paramount Pictures.
All Rights Reserved.
STAR TREK and U.S.S. ENTERPRISE
are trademarks of Paramount Pictures.



STOCK NO. 6007



FORM NO. 099 - 6007



The nerve center of the United Federation Starship Enterprise,[™] the bridge is where Captain James Kirk commands his trips to far-flung star systems, boldly going where no one has gone before. Surrounded by his officers, the captain has instant access to vital information concerning the ship's course, speed and any information the ship's sensors may pick up regarding alien life forms, vessels from unknown civilizations and aspects of the universe in the proximity of the Enterprise.[™]

Primarily an exploration and science research vessel, the Enterprise[™] is equipped with defensive force-field shields (which also protect against the odd meteorite and other space debris), phaser banks and, for heavy-duty defense, a photon torpedo launcher. When the Enterprise[™] is on full red-alert battle status, the command bridge becomes the battle control center from which all battle operations are controlled.

With a view screen for observation of the areas around the ship and scanning sensors probing space for things unseen, there is not much that can slip by the Enterprise.[™] The communication officer constantly monitors all space and sub-

space channels for analysis by the ship's computer, which constantly accesses the known history of the area or planet in question.

The bridge is laid out in a full circle with all officers work stations equidistant from the captain's chair. The navigational and power control stations are adjacent to the captain for rapid communication. The Captain can also move quickly to these stations, as needed, if the watch officer is needed elsewhere. With viewing monitors laid out around the perimeter of the bridge, the ship's status can be checked at a glance allowing the captain to make instant command decisions.

The bridge is located at top center of the forward "saucer" hull of the Enterprise[™] and in its circular layout, reflects the shape of the ship. It is also the area where almost all the action takes place, except when an away team goes planet-side. If the captain is part of the away team, the first officer then assumes command.

Enjoy your scale model of this important aspect of the Federation Starship, the bridge of the U.S.S. Enterprise.

IMPORTANT

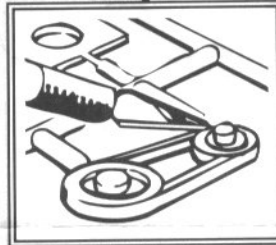
Before you begin to assemble your model kit, study the instructions carefully. This will help you to familiarize yourself with the part locations as you proceed. Prior to cementing parts together, be sure to "TEST FIT" them in order to assure proper alignment and also to check for excess "FLASH" that may occur along parting lines. Use a sharp hobby knife or file to remove flash if necessary.

If you wish to paint your model, various sub-assemblies and components should be painted before any parts are attached. During assembly, you may note that the recommended color is stated after the part name.

This model kit is molded from the finest high-impact styrene plastic. Use only paints and cements which are specifically formulated for styrene. Read all labels and warnings carefully. Because the cement will only adhere to bare plastic, it is necessary to remove any paint or "plating" from the area to which the cement is to be applied.

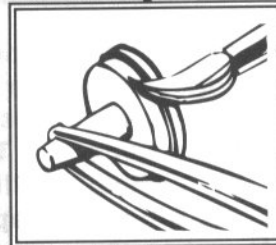
HOBBY KNIFE

Use a sharp hobby knife to remove parts from the trees. Some parts may appear to have an extra "tab" on them, these should be removed.



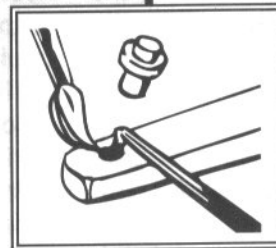
TWEEZERS

Tweezers are handy for holding very small parts during assembly or painting.



CEMENT

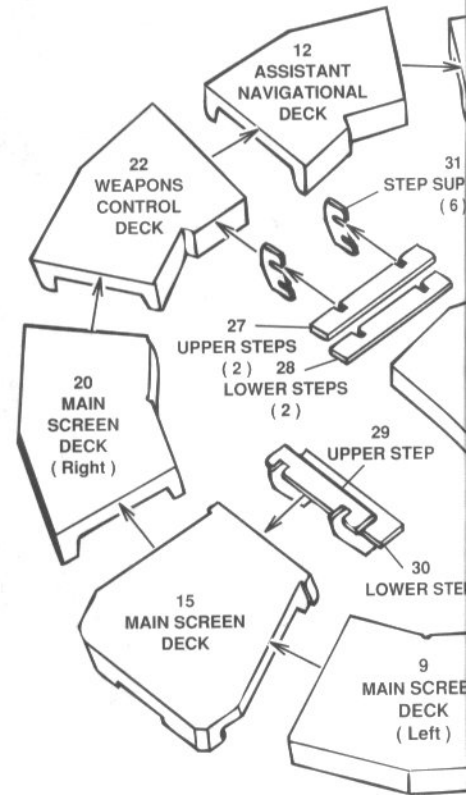
We recommend the use of liquid polystyrene cement. Apply with a fine brush or toothpick. Use cement sparingly or a sloppy job will result.



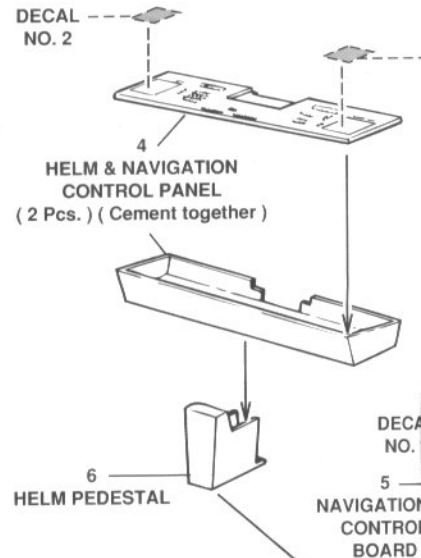
We take great pride in providing the finest model kits available, giving strong attention to detail and craftsmanship. Should you have any difficulty with assembly or missing parts, please call the appropriate number listed below between the hours of 8:00 am to 4:30 pm central time, Monday through Friday.

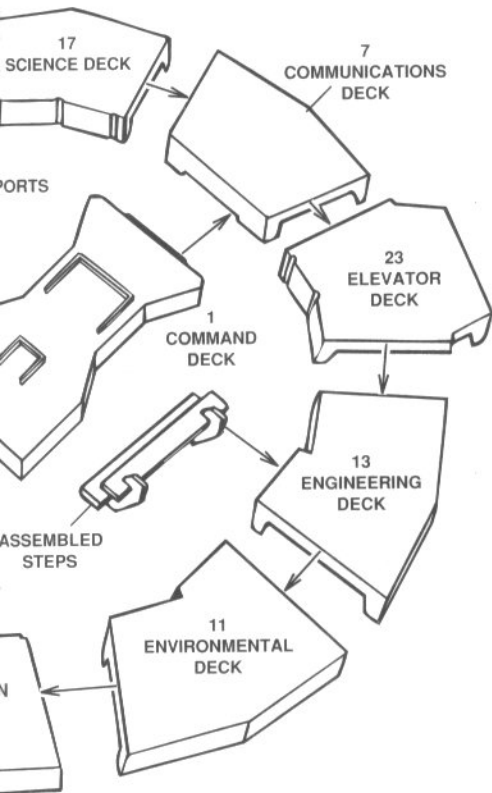
In IOWA (toll free) 1 - 800 - 942 - 4618
 Elsewhere in the U.S.A. (toll free) 1 - 800 - 553 - 4886
 Outside of the United States call 1 - 319 - 875 - 2000

1: DECK ASSEMBLY

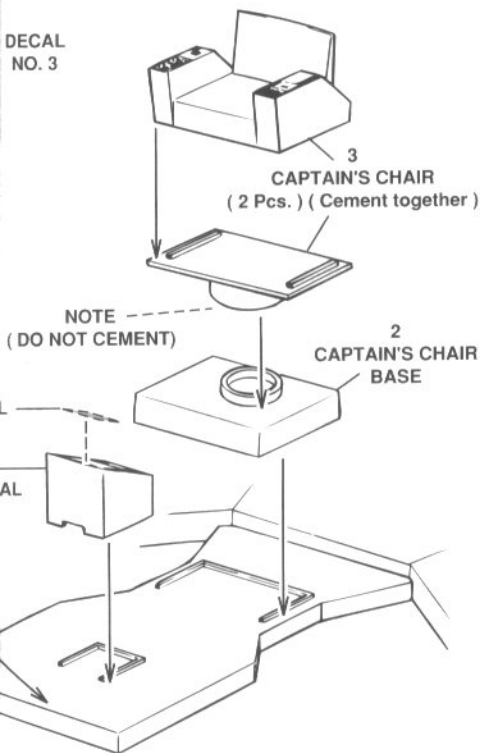


2: COMMAND STATION

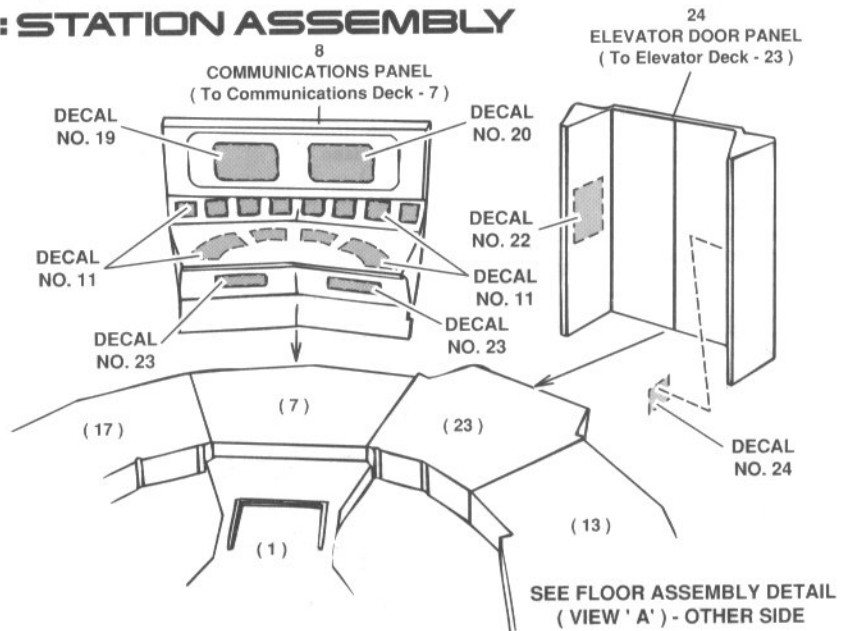




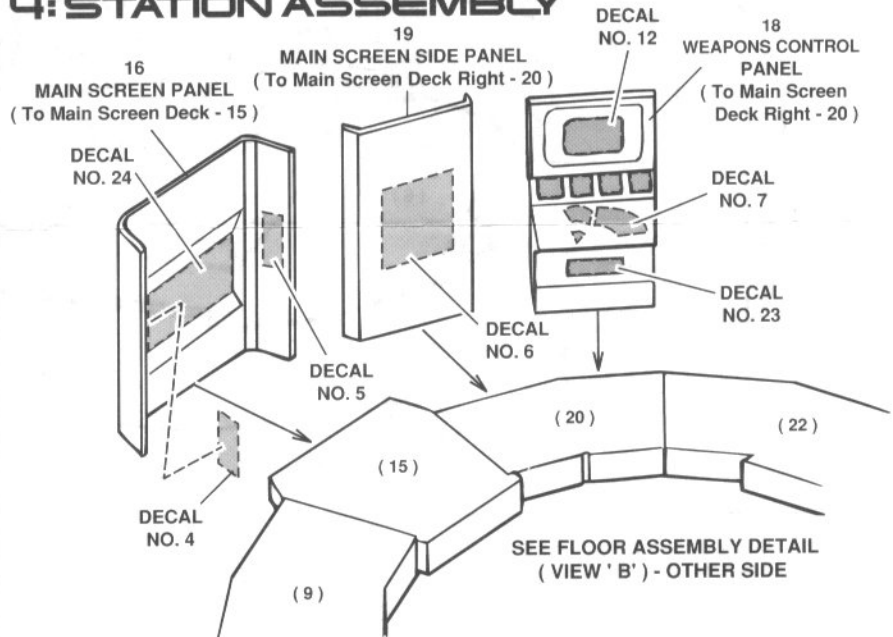
ON ASSEMBLY



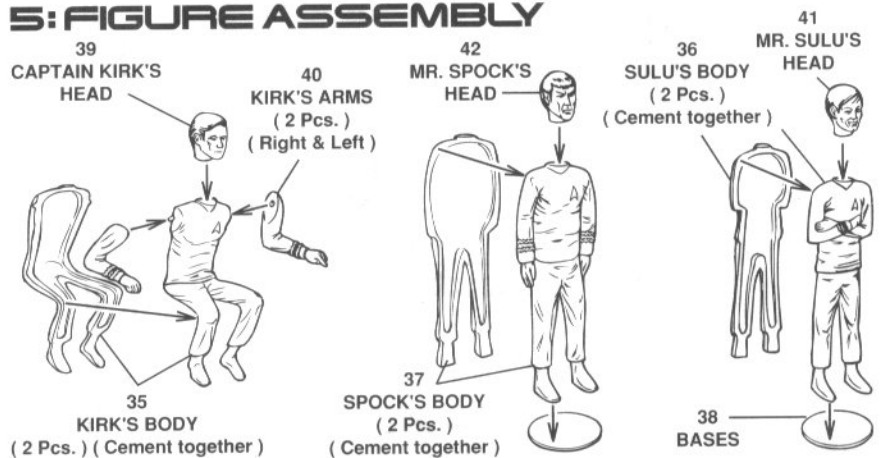
3: STATION ASSEMBLY



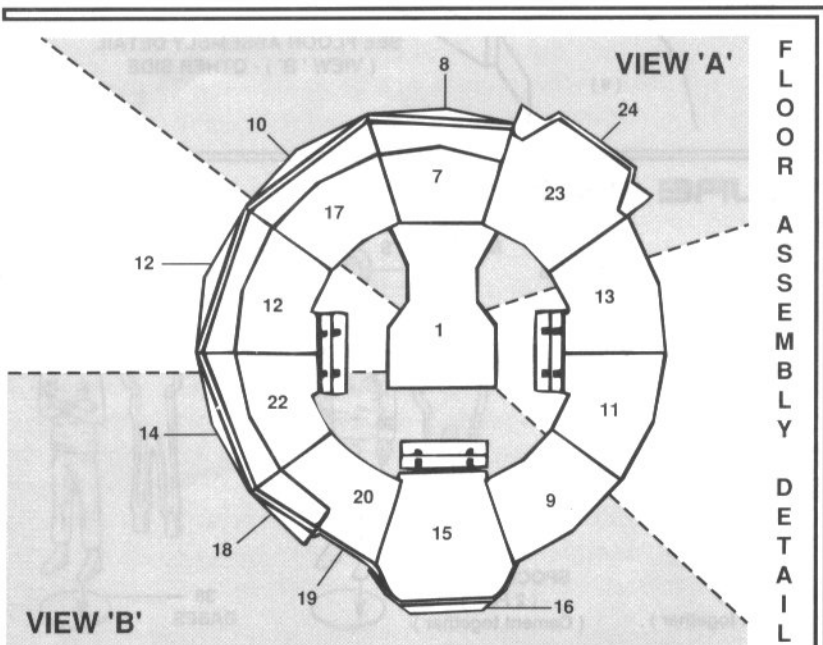
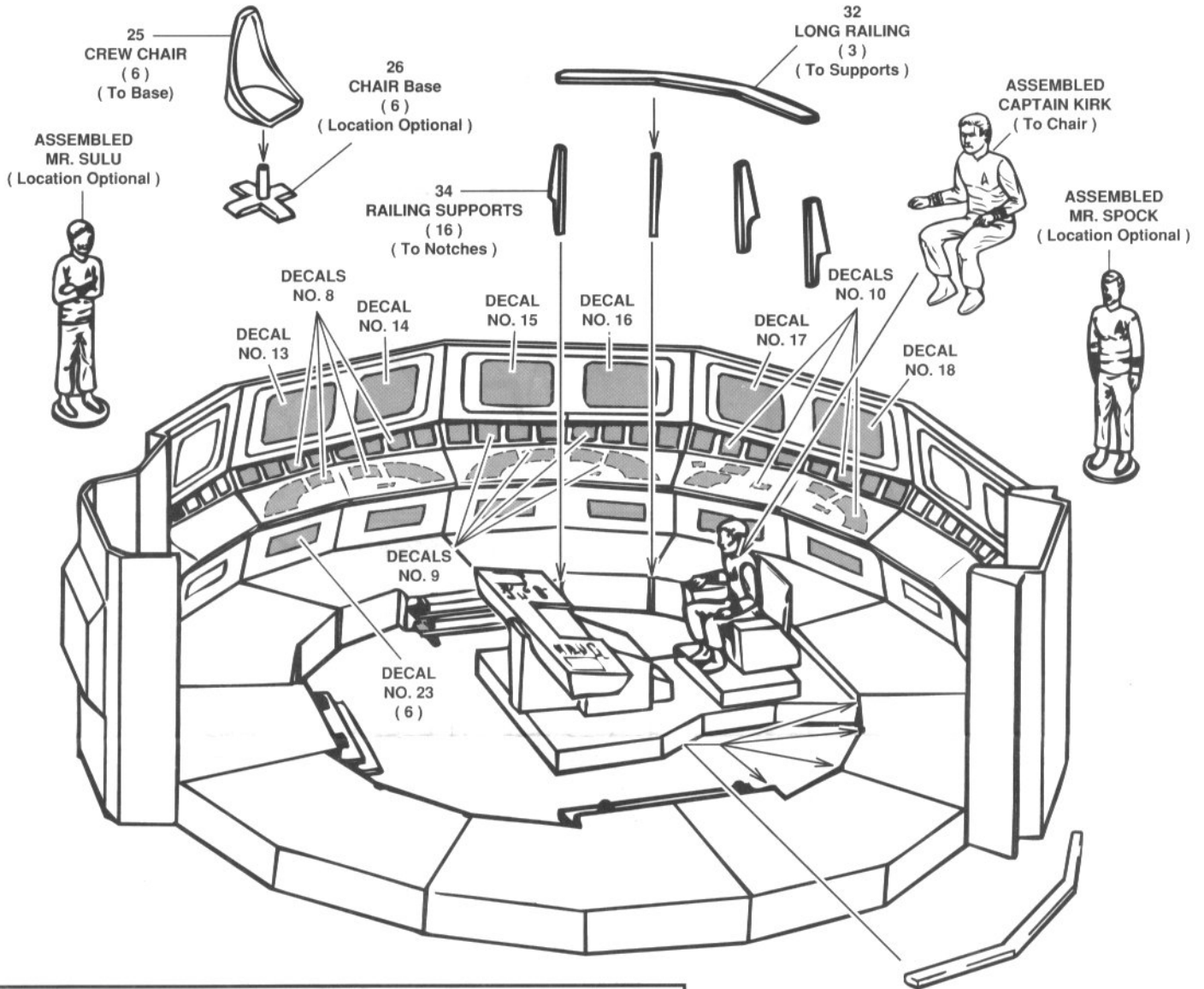
4: STATION ASSEMBLY



5: FIGURE ASSEMBLY



6: FINAL ASSEMBLY



33 RAILING (1) (To Supports Located Here)

NOTE: Reference BOX LID as a guide for painting.

THE ERTL COMPANY, INC
 HIGHWAYS 136 & 20,
 DYERSVILLE, IOWA 52040
 PRINTED IN THE U.S.A.